

**Circular Letter No. 3 dated September 5th, 2014**

**Address:** All International Offices  
**Pages:** 2  
**SUBJECT:** NEW PRODUCTS

*Dear DEPRAG INDUSTRIAL Associate,*

we would like to inform you about new some products that were added to our product line. Technical information with pictures, as well as a PDF-catalogue, can be found on our web-site at [www.deprag.cz](http://www.deprag.cz).

Contents:

- **Angle Grinder with Collet - Model GDA 030-120SX**
- 

**Angle Die-Grinder**  
**Model GDA 030-120SX**

We are proud to introduce our new, low-speed angle grinder - Model GDA 030-120SX, which completes our already comprehensive assortment of angle grinders with collet.

Model	Part Number
GDA 030-120SX	6061260A

**This new grinder operates at a low speed of 12 000 min<sup>-1</sup> (Part No. 6061260A); upon request we can offer this type of grinder with a speed-range of 11 000 – 18 000 min<sup>-1</sup> (the no-load speed must be specified at the time an order is placed).**

**Description:**

Our new small angle grinder with collet is especially well-suited for metal- and plastic fabrications, when used with grinding tips or with high-tech grinding inserts. The grinder can be used in foundries, machine shops or in the automotive industry.

When equipped with rubber pads or fiber disks having different grains, the grinder can be used on flat and curved surfaces. The head of this grinder has a lower profile (63 mm) compared to the other GDA type angle-grinders (78,3 mm).

Due to the reduced head height and the head shape (90° angle-head), it is possible to use these grinders in hard-to-reach areas.

Well-balanced 6-mm collet is supplied as standard equipment; 3-mm; 4-mm; 5-mm; 1/8"; 3/16"; 1/4" (optional accessories).

**Applications:**

- Automotive industry
- Machine building
- Small machine shops, where metallic and non-metallic materials are processed
- Fine part working etc.

### Advantages:

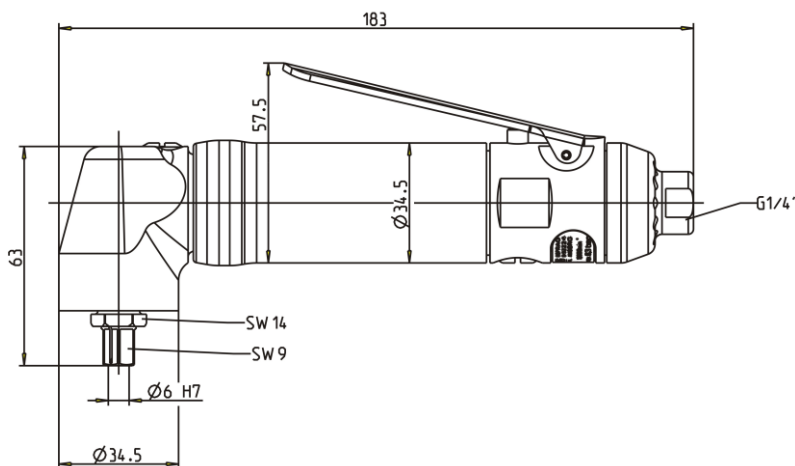
- Ergonomic
- Efficient
- Because of the reduced head height, it is possible to use these grinders in hard-to-reach areas
- High operating safety

### Specifications:

Safety Lever	Model No. Part No.	GDA 030-120SX 6061260A
Speed (no load/max. power output)	min <sup>-1</sup>	12 000/7000
Max. power output	W	300
Air consumption (no load)	m <sup>3</sup> /min	0,18
Air consumption (max. power output)	m <sup>3</sup> /min	0,46
Max. Ø of grinding tip	mm	16
Max. Ø of grinding insert	mm	6
Weight	kg	0,69
I.D. of air inlet hose	mm	JS 8
Air connection		G <sup>1</sup> / <sub>4</sub> "
Dimensions LxH	mm	183x63

Specifications based on 90 PSI (6,3 bar)

### Specifications – dimensional-sketch (mm):



GDA 030-120SX

The angle die-grinder - Model No. GDA 030-120SX is not an off-the-shelf DEPRAG INDUSTRIAL product; it is made to order. Official date of sale: September 8<sup>th</sup>, 2014.