

Dear DEPRAG-INDUSTRIAL Associate,  
we take the opportunity to inform you about new and improved products that were either added to our product line or where we made improvements. Detailed technical information and pictures, as well as a catalog in PDF-format can be found on our website [www.deprag.cz](http://www.deprag.cz).

## Program expansion DEPRAG INDUSTRIAL:

- **Air Angle Grinders**  
– **Model GA 812-190BX, GA 815-190BX, GA 818-190BX, GA 823-190BX**

## Air Angle Grinders

### Model GA 812-190BX, GA 815-190BX, GA 818-190BX, GA 823-190BX

We are pleased to inform you that we are introducing our new Angle Grinders for grinding/cutting disks with the diameter of 125 mm (5"), 150 mm (6"), 180 mm (7"), 230 mm (9"). These 1.9 kW grinders complete our already contemporary range of geared Angle Grinder with vane air motors – the GA models. Especially the model GA 815-190BX (for 150 mm disc), which was completely missing in our product line.

| Model               | Part Number     |
|---------------------|-----------------|
| <b>GA 812-190BX</b> | <b>6061275A</b> |
| <b>GA 815-190BX</b> | <b>6061275B</b> |
| <b>GA 818-190BX</b> | <b>6061275C</b> |
| <b>GA 823-190BX</b> | <b>6061275D</b> |

The grinders are designed for heavy duty, industrial applications – even when used in 24/7 operations.

The model GA 812-190BX is a more powerful option to the existing grinder Model GA 812-100BX, this tool is suited for the most demanding work in foundries, where the power of 1kW is not enough. The Models GA 818-190BX and GA 823-190BX are lighter options to the existing 2,3kW angle grinders and are designed for applications where weight is preferred to power. The weight is 1 kg lower!

Our grinders are equipped with new bevel gears for higher lifespan and extended service-interval. The valve-housing contains a filter with higher filtration-capability, which prevents the penetration of dust particles larger than 63 µm. Integrated balancing unit reduces vibrations. The safety guard is adjusted just by a small lever (no special tool needed). This makes the new grinders very flexible, especially when working on large cast-iron parts or welding seams, where a frequent adjustment of the safety guard is needed. The grinding wheel is easily replaced thanks to the spindle-lock mechanism.

## Applications:

- Deburring of welding seams (ship building)
- Cutting of gate sections (cast-iron engine blocks)
- Cutting of thick-walled profiles (steel construction) etc.



## Advantages:

- High power
- Ergonomic
- Efficient
- Grinding in hard-to-reach areas (because of the reduced head height, it is possible to use these grinders in hard-to-reach areas)



GA 812-190 BX



GA 818-190BX



GA 823-190BX

## Specifications:

| Angle Grinders,<br>Safety Lever        | Model<br>Part No.            | GA 812-190BX<br>6061275A | GA 815-190BX<br>6061275B | GA 818-190BX<br>6061275C | GA 823-190BX<br>6061275D |
|--|------------------------------|--------------------------|--------------------------|--------------------------|--------------------------|
| Speed (no load)                        | min <sup>-1</sup><br>(rpm)   | 11 900                   | 9 850                    | 8 350                    | 6 650                    |
| Max. power output                      | kW (hp)                      | 1,9 (2.5)                | 1,9 (2.5)                | 1,9 (2.5)                | 1,9 (2.5)                |
| Air consumption (under load)           | m <sup>3</sup> /min<br>(cfm) | 1,0 (35.3)               | 1,0 (35.3)               | 1,0 (35.3)               | 1,0 (35.3)               |
| Air consumption (no load)              | m <sup>3</sup> /min<br>(cfm) | 2,2 (77.7)               | 2,2 (77.7)               | 2,2 (77.7)               | 2,2 (77.7)               |
| I.D. of air inlet hose                 | mm (in)                      | 16 / 5/8"                | 16 / 5/8"                | 16 / 5/8"                | 16 / 5/8"                |
| O.D. of grinding wheel                 | mm (in)                      | 125 (5")                 | 150 (6")                 | 180 (7")                 | 230 (9")                 |
| I.D. of grinding wheel                 |                              | 22,23 (.87)              | 22,23 (.87)              | 22,23 (.87)              | 22,23 (.87)              |
| Thickness of cutting-off wheel         | mm (in)                      | 8                        | 8                        | 8                        | 8                        |
| Thickness of cutting-of wheel          |                              | 1; 1,6; 2,0              | 1; 1,6; 2,0              | 2,5; 3,2                 | 2,5; 3,2                 |
| Max. radial speed                      | m/s                          | 80                       | 80                       | 80                       | 80                       |
| Weight                                 | kg (lbs)                     | 3,1 (6.8)                | 3,1 (6.8)                | 3,3 (7.3)                | 3,6 (7.9)                |
| Sound pressure level L <sub>pA</sub> * | dB                           | 89,8                     | 89,8                     | 89,8                     | 89,8                     |
| Sound power level L <sub>WA</sub> *    | dB                           | 100,8                    | 100,8                    | 100,8                    | 100,8                    |
| Vibration                              | m/s <sup>2</sup>             | 2,75                     | 2,24                     | 2,86                     | 3,65                     |
| Air connection                         |                              | G1/2"                    | G1/2"                    | G1/2"                    | G1/2"                    |

Specifications at 90 psi (6,3 bar)

\*) Measurement deviation: 3 dB

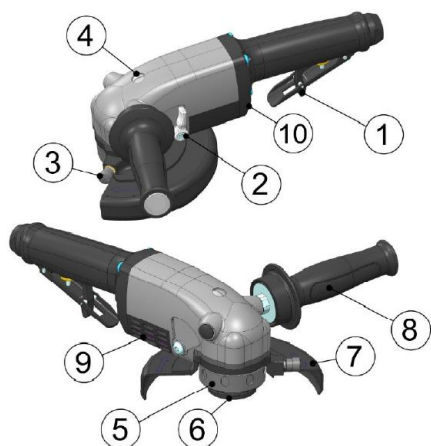
## Optional Accessories:

Turnable hose nozzle G1/2"/JS16(5/8"), Part No. 6021377

Clamping nut (for cutting disc - type 41) for GA 815-190BX, GA 818-190BX, Part No. 310186

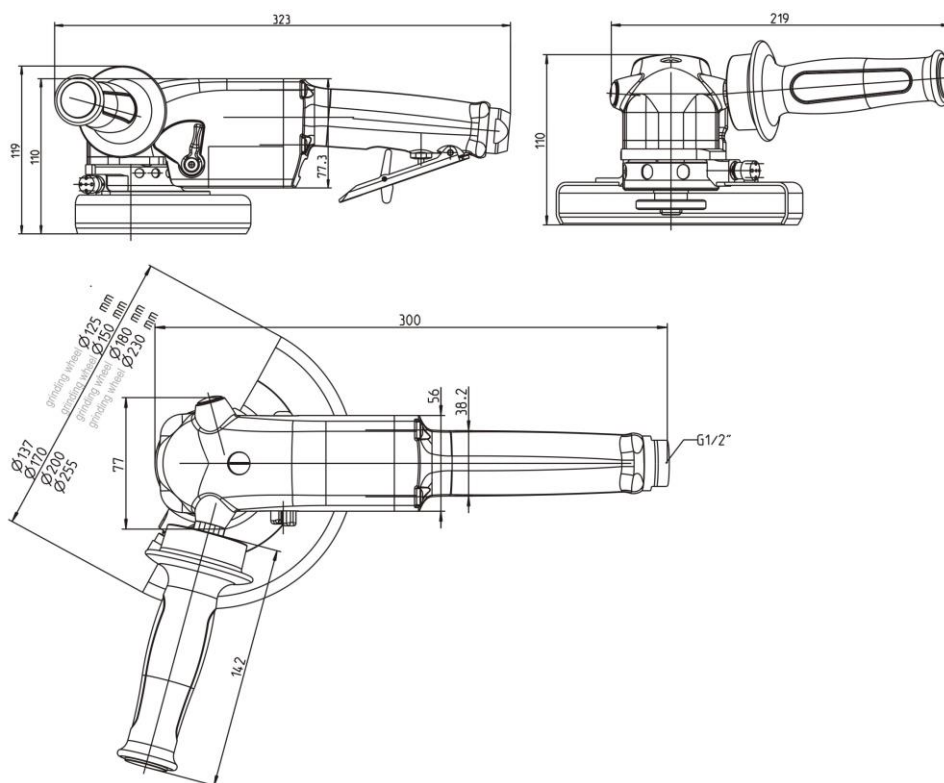
Clamping nut (for cutting disc - type 41) for GA 823-190BX, Part No. 310184

## Grinder Description:



- 1) Safety lever
- 2) Lever for safety guard adjustment
- 3) Spindle-lock button
- 4) Screw (for oil change)
- 5) Balancing unit with clamping flange
- 6) Clamping nut
- 7) Safety guard
- 8) Anti-vibration side handle (change-over to left-hand operation possible)
- 9) Silencer
- 10) Turnable hose nozzle

## Dimensional drawing (mm):



These angle grinders will be added to standard products of the DEPRAG INDUSTRIAL brand; Official sale will be launched on September 4<sup>th</sup>, 2015.