

Dear DEPRAG-INDUSTRIAL Associate,
we take the opportunity to inform you about new and improved products that were either added to our product line or where we made improvements. Detailed technical information and pictures, as well as a catalog in PDF-format can be found on our website www.deprag.cz.

Program expansion DEPRAG INDUSTRIAL:

- **Air Grinder with Collet – Model GDA 030-180SX**

Air Grinder with Collet Model GDA 030-180SX

We are proud to introduce our new angle grinder - Model GDA 030-180SX, which completes our already comprehensive assortment of angle grinders with collet.

Model	Part Number
GDA 030-180SX	6061260B

Our new small angle grinder with collet is especially well-suited for metal- and plastic fabrications, when used with grinding tips or with high-tech grinding inserts. The grinder can be used in foundries, machine shops or in the automotive industry.

When equipped with rubber pads or fiber disks having different grains, the grinder can be used on flat and curved surfaces. The head of this grinder has a lower profile (63 mm/2.48 in) compared to the other GDA type angle-grinders (78,3 mm/3.08 in).

Due to the reduced head height and the head shape (90° angle-head), it is possible to use these grinders in hard-to-reach areas.

Applications:

- Automotive industry
- Machine building
- Small machine shops, where metallic and non-metallic materials are processed
- Fine part working etc.

Advantages:

- Ergonomic
- Efficient
- Because of the reduced head height, it is possible to use these grinders in hard-to-reach areas
- High operating safety

Specifications:

Air Grinder with Collet, Safety Lever	Model Part No.	GDA 030-180SX 6061260B
Speed (no load/max. power output)	min ⁻¹ (cfm)	18 000 / 12 000
Max. power output	W (hp)	300 (.40)
Air consumption (no load/max. power output)	m ³ /min (cfm)	0,36/0,46 (12.71/16.24)
Max. Ø of grinding tip	mm (in)	16 (.63)
Max. Ø of grinding insert	mm (in)	6 (.24)
I.D. of air inlet hose/connection thread	mm (in)	LW 8 (.31)/G1/4"
Vibration according to ISO 28927-12 (uncertainty of measurement 0,54 m/s ²)	m/s ²	2,59
Sound pressure level A, L _{pA} according to DIN EN ISO 15744 (uncertainty of measurement 3 dB)	dB(A)	84,5
Sound power level A, L _{wa} according to DIN EN ISO 15744 (uncertainty of measurement 3 dB)	dB(A)	95,5
Weight	kg (lbs)	0,54 (1.20)

Specifications based on 90 PSI (6,3 bar)

Optional Accessories:

Hose nozzle, turn-able, Part No. 6078628



Threaded adapter (1/4"20UNC) for polishing support disc, Part No. 3126884

As standard equipment we supply collet d6 mm.

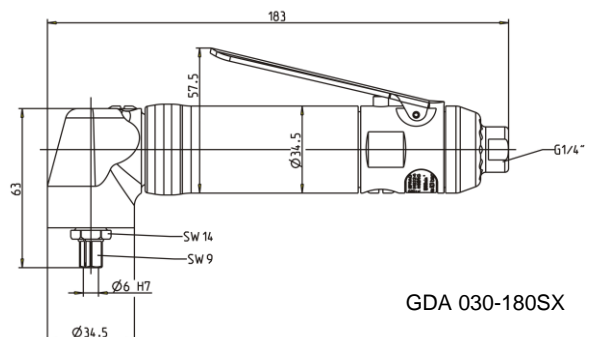
As optional accessories we offer the following collet diameters:
3 mm; 4 mm; 5 mm; 6 mm (short design), 1/8", 3/16", 1/4".



Specifications – dimensional-sketch (mm)



GDA 030-180SX



GDA 030-180SX

The angle die-grinder - Model No. GDA 030-180SX is not an off-the-shelf DEPRAG INDUSTRIAL product; it is made to order. Official date of sale: March 4th, 2016.