

Recipient: All International Offices
Pages: 6

Newsletter No. 1/2017

14.3.2017

Dear DEPRAG-INDUSTRIAL Associate,

we take the opportunity to inform you about new and improved products that were either added to our product line or where we made improvements. Detailed technical information and pictures, as well as a catalog in PDF-format can be found on our website www.deprag.cz.

Program Expansion:

- **Safety Guards for the removal of dirt particles by suction - for abrasive disks Type 27, 41/42 and for grinding disks with pad.**

Safety Guard – Suction Kit

DEPRAG CZ a.s. manufactures safety guards that incorporate a suction feature. This feature basically removes any movable debris and is available for abrasive disks Type 27, 41/42 and for grinding disks that are used with a pad. The diameter of the safety guard with suction, is available in the sizes of 125-mm (5-inch), 150-mm (6-inch), 180-mm (7-inch) and 230-mm (9-inch).

These suction-integrated safety guards are considered optional equipment and made to order.

Description	Part No.
Combination Safety Guard with Suction Kit	6022594A
	6022661A
	6022734A
	6022679A
	6022666A
Suction Kit only	6022681A
	6022761A
	6022730A
	6022710A

Part No.	Optional Equipment for Grinders/Polishers
6022594A	GA 812-100BX
6022661A	GAT 812-221BX, GAT 812-221BX-M14, GAT 812-260BX, GAT 812-260BX-M14
6022734A	GAT 815-260BX-M14
6022679A	GAT 818-260BX-M14
6022666A	GAT 812-221BX-M14, GAT 812-260BX-M14
6022681A	GAT 818-260BX-M14, PAT 260-085BX
6022761A	GA 812-190BX
6022730A	GA 815-190BX
6022710A	GA 818-190BX, GA 823-190BX

The suction guards are best suited for the use of industrial tools, such as manual angle-grinders and polishers. They are made from robust steel material and suitable for abrasive disks Type 27, 41/42. The suction guards can be used to substitute any of the grinding- and cutting disks for those tools.

Many different particles can be removed by using a suction guard, such as dust, gaseous- or dirt-particles, as well as other debris that occurs during fabricating different materials.

These suction guards are NOT suited for the removal of coarse debris or sparks that may occur during grinding.

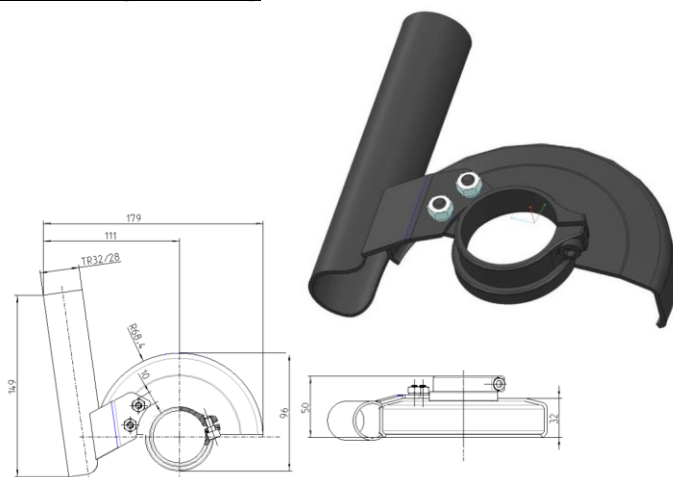
To dress these suction guards to grinders or polishers, just use the standard supplied guard-mounts and guard locks.

The connection diameter for the suction is D32 and D38.

The recommended power of the suction unit for D 32 is minimum 250 m³/hr. (8,800 ft³/hr.) or for D38 below 300 m³/hr. (10,500 ft³/hr.)

Suction device for 125-mm grinding disks (5-inch)

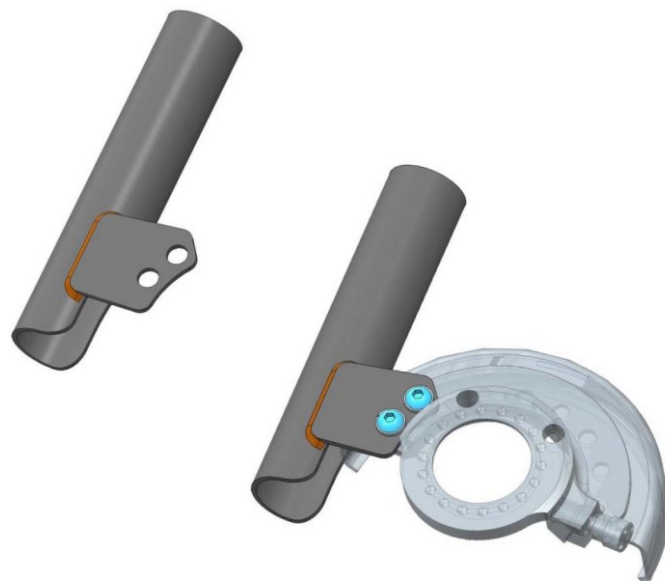
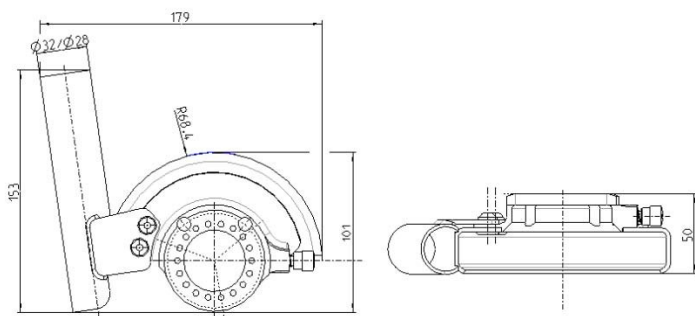
Description	Part No.
Complete Unit	6022594A
Basic hardware	
Safety Guard	6022597A
Suction	6022596A
Allen Wrench 5	800448
Spanner 13	800402
Optional equipment for Grinder....	
GA 812-100BX	6060545A



Description	Part No.
Complete Unit	6022661A
Basic hardware	
Safety Guard	6022660A
Suction	6022596A
Allen Wrench 5	800448
Spanner 10	800402
Optional equipment for Grinder....	
GAT 812-221BX	310519B
GAT 812-221BX-M14	310519H
GAT 812-260BX	310519C
GAT 812-260BX-M14	310519F

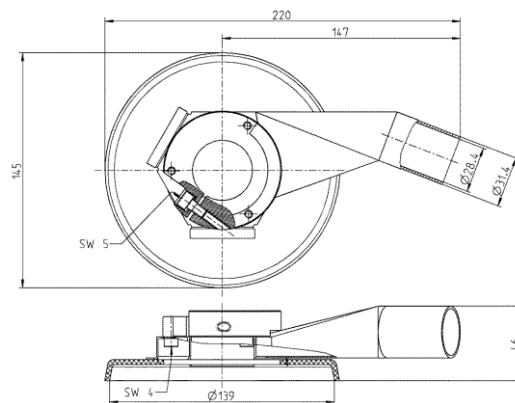
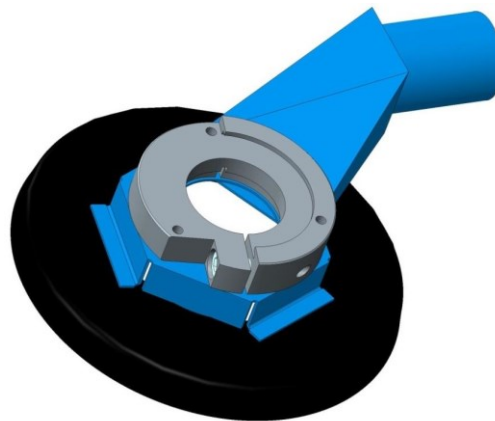


Description	Part No.
Suction	6022761A
Basic hardware	
Allen Wrench 4	800447
Optional equipment for Grinder....	
GA 812-190BX	6061275A



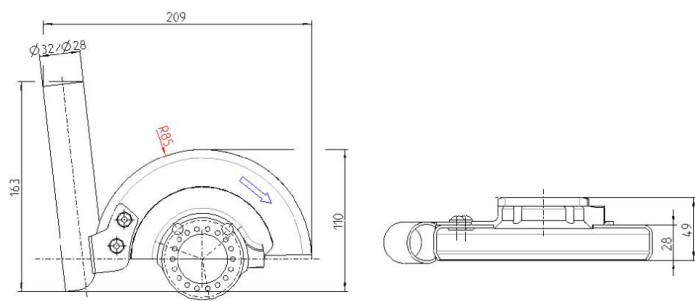
Suction device for 125-mm pad (5-inch) – made from plastic

Description	Part No.
Complete Unit	6022666A
Basic hardware	
Chucking Flange	310802
Allen Wrench 4	800447
Allen Wrench 5	800448
Accessories for special order	
Support Disk	805174
Optional equipment for Grinder....	
GAT 812-221BX-M14	310519H
GAT 812-260BX-M14	310519F

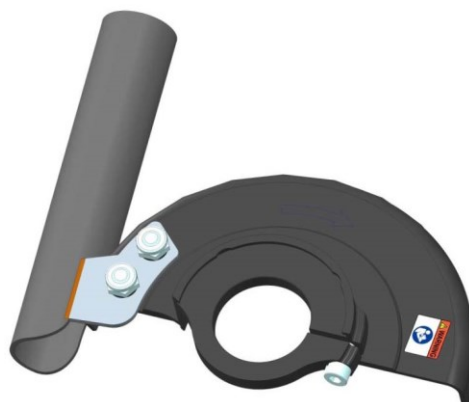
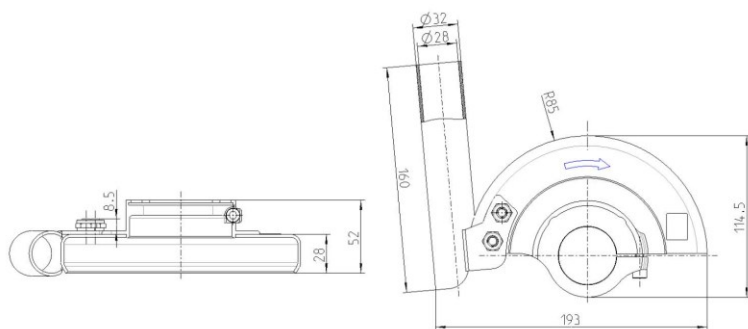


Suction device for 150-mm grinding disks (6-inch)

Description	Part No.
Suction	6022730A
Basic hardware	
Allen Wrench 4	800447
Optional equipment for Grinder....	
GA 815-190BX	6061275B

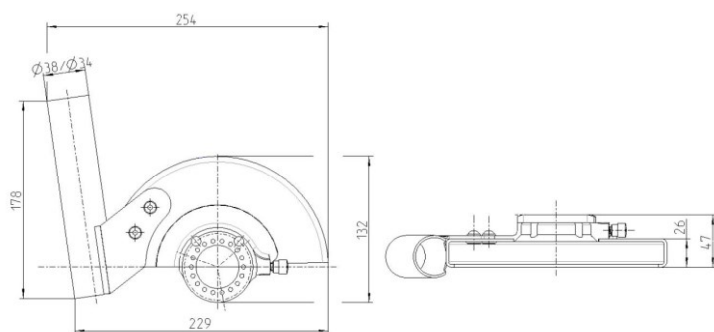
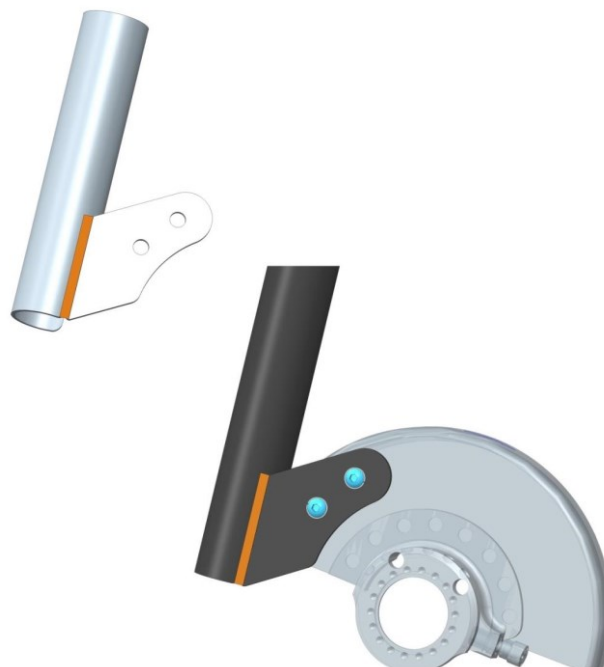


Description	Part No.
Complete Unit	6022734A
Basic hardware	
Safety Guard	6022729A
Suction	6022730A
Allen Wrench 5	800448
Spanner 13	800404
Optional equipment for Grinder....	
GAT 815-260BX-M14	310687C

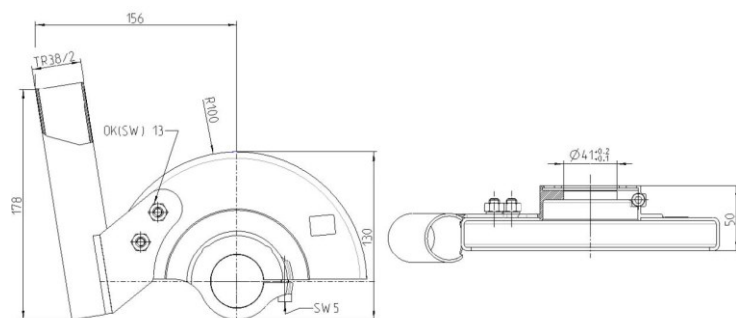
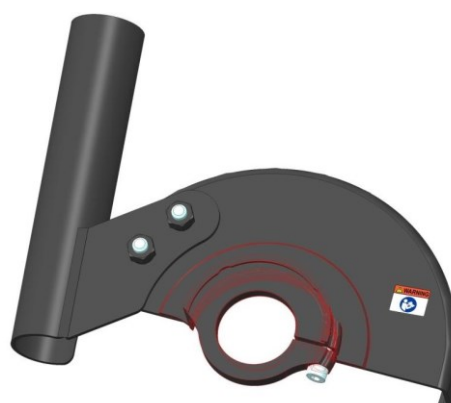


Suction device for 180-mm grinding disks (7-inch)

Description	Part No.
Suction	6022710A
Basic hardware	
Allen Wrench 4	800447
Optional equipment for Grinder...	
GA 818-190BX	6061275C

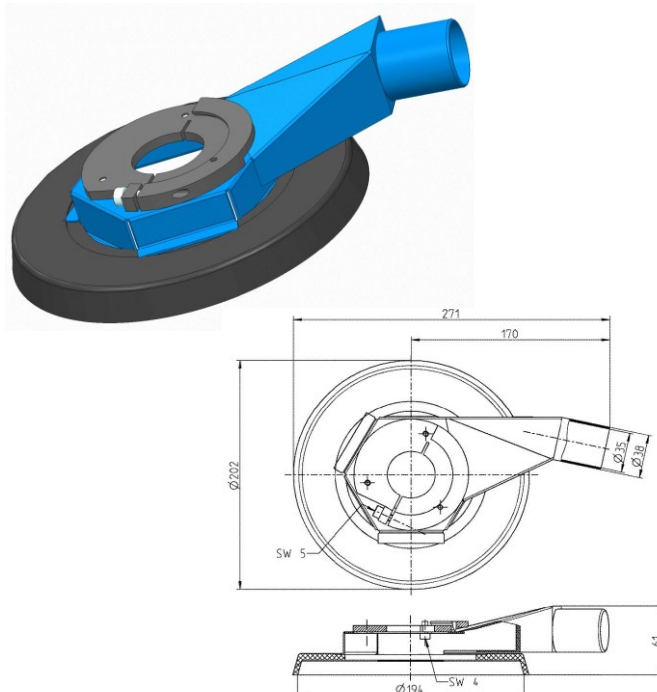


Description	Part No.
Complete Unit	6022679A
Basic hardware	
Safety Guard	6022678A
Suction	6022710A
Allen Wrench 5	800448
Spanner 13	800404
Optional equipment for Grinder...	
GAT 818-260BX-M14	310687D



Suction device for 180-mm pad (7-inch) – made from plastic

Description	Part No.
Complete Unit	6022681A
Basic hardware	
Chucking flange	310471
Allen Wrench 4	800447
Allen Wrench 5	800448
Accessories for special order	
Support Disk	310324
Chucking flange	310471
Optional equipment for Grinde / Polisher	
GAT 818-260BX-M14	310687D
PAT 260-085BX	310687G



Suction device for 230-mm grinding disks (9-inch)

Description	Part No.
Suction	6022710A
Basic hardware	
Allen Wrench 4	800447
Optional equipment for Grinder....	
GA 823-190BX	6061275D

