

Circular Letter No. 5 dated July 16th, 2013

Address: All International Offices
Pages: 2

SUBJECT: **NEW PRODUCTS**

Dear DEPRAG INDUSTRIAL Associate,

we would like to inform you about new products that were added to our product line. Technical information with pictures, as well as a PDF-catalog can be found on our web-site www.deprag.cz.

Contents:

- **Pneumatic File – Model FS 905-630 BY**

Pneumatic File – Model FS 905-630BY

We are pleased to inform you that we are introducing our new Air File Model No. FS 905-630BY.

This is a fast, efficient tool for filing, sanding and deburring – the extreme low weight allows for a comfortable operation in a mass fabricating environment.

Description	Part No.
FS 905-630BY	6061238A

Description:

Our DEPRAG INDUSTRIAL file is suitable for deburring, filing, fine grinding and lapping; in areas such as the mould making-, fixture-, and apparatus construction as well as in foundries.

This tool is ideal for industrial and production filing applications on steel, aluminum, brass, wood and other materials.

The main features are:

- Ergonomic
- Easy handling
- Long lifespan

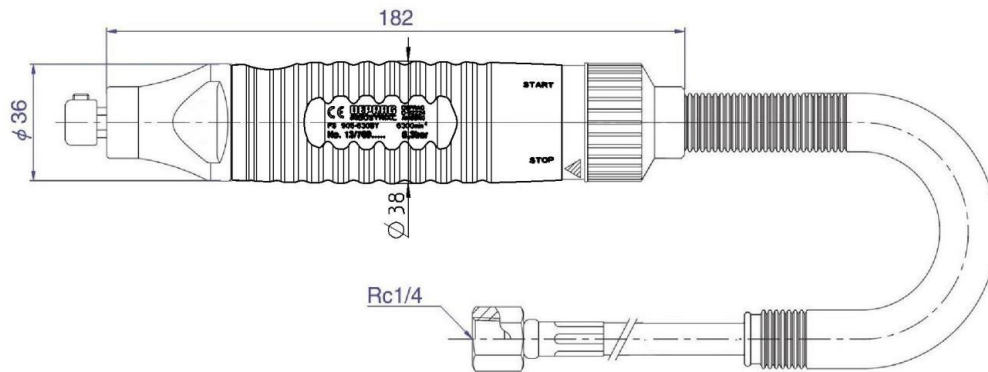
The unique and compact design delivers a fastly reduced vibration-performance, while limiting operator fatigue. It also eliminates time consuming manual hand-filing operations.

Specifications:

Twist Valve	Model Part No.		FS 905-630BY 6061238A	
Stroke speed (no load)	min ⁻¹	(rpm)	6 300	
Stroke length	mm	(in)	9	(.35)
File shank size	mm	(in)	5	(.20)
Air consumption (no load)	m ³ /min	(cfm)	0,2	(7.1)
I.D. of air inlet hose / connection thread	mm	(in)	6 (.24) / Rc 1/4"	
Accessories included: Threaded adapter PT1/4" x NPT1/4"				
Weight	kg	(lbs)	0,5	(1.1)

Specifications at 90 psi /6,3 bar

Specifications – dimensional-sketch (mm):



FS 905-630BY

Optional Accessories:

SF 10 Rat Tail File (5 pcs./set)



SF11 Triangular Taper File (5 pcs./set)



SF 12 Half Round File (5 pcs./set)



SF13 Flat leaf File (5 pcs./set)



Sanding Pad Ass'y



The pneumatic file of type FS 905-630BY is an additional assortment of DEPRAG INDUSTRIAL.
Official date of sale: August 1st, 2013.