

Dear DEPRAG-INDUSTRIAL Associate,
we take the opportunity to inform you about new and improved products that were either added to our product line or where we made improvements. Detailed technical information and pictures, as well as a catalog in PDF-format can be found on our website www.deprag.cz.

Program expansion DEPRAG INDUSTRIAL:

- **Air File – Model FS 404-900BU**

Air File Model FS 404-900BU

We are pleased to inform you that we are introducing our new product - Air File Model No. FS 404-900BU.

Model	Part Number
FS 404-900BU	6061293A

This is a fast, efficient tool for filing, sanding and deburring – the extreme low weight allows for a comfortable operation in a mass-production environment.

Applications:

- Deburring, filing, fine grinding and lapping
- In areas such as the mold making-, fixture-, and apparatus construction as well as in foundries
- Industrial and production filing applications on steel, aluminum, brass, wood and other materials



The main features are:

- low weight
- small dimensions
- ergonomic
- easy handling
- long lifespan
- a simple and fast exchange of the file-ir
- low vibration



Specifications:

Air File, Twist Valve	Model Part No.	FS 404-900BU 6061293A
Stroke speed (no load)	min ⁻¹ (rpm)	9 000
Stroke length	mm (in)	4 (.16)
File shank size	mm (in)	3 (.12)
Air consumption (no load)	m ³ /min (cfm)	0,07 (2.47)
I.D. of air inlet hose / connection thread	mm (in)	6 / Rc 1/4"
Weight	kg (lbs)	0,4

Specifications at 90 psi (6,3 bar)

Standard Equipment:

Flat Leaf File LF-13, 1 pc

Allen key 2

Threaded Adapter R1/4"xNPT1/4"

Optional Accessories:

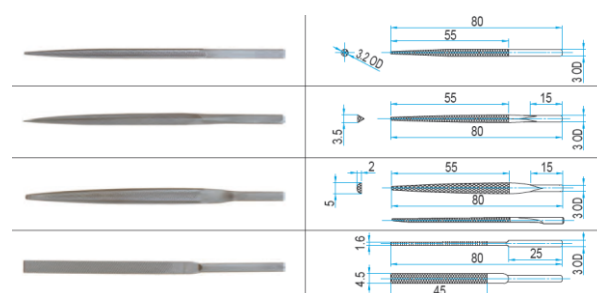
Rat Tail File LF-10 – 3 pcs., Part No. 6078816

Triangular Taper File LF-11 – 3 pcs, Part No. 6078818

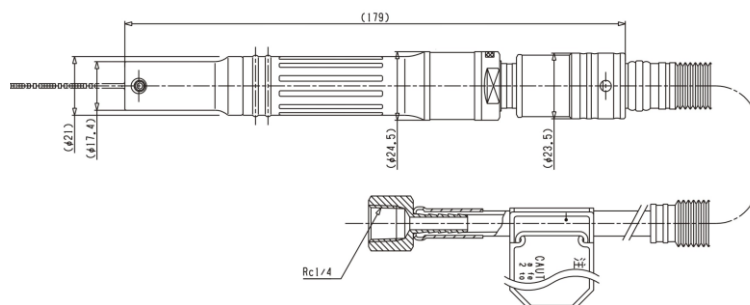
Half Round File LF-12 – 3 pcs., Part No. 6078817

Flat Leaf File LF-13 – 3 pcs, Part No. 6078815

Dimensions:



Specifications – dimensional-sketch (mm)



Our air file is an additional assortment of DEPRAG INDUSTRIAL. Official date of sale: September 4th, 2015.